

Receiver

 Society
 Reference
 Address
 Phone
 Fax
 E-mail

From

 -
 -
 -

Item n° :

60167625

Model :

K 50/800 T IE3

Pump data

MEI ≥ 0,60

Pressure rating : 10 bar (1000 KPa)

Min. fluid temperature : -15 °C

Max. fluid temperature : 110 °C

Max. Ambient temperature : 40 °C

Requested data

Flow : 0.00 l/min

Head : 0.00 m

Fluid : Water

Fluid Temperature : 20 °C

Density : 62.315 lb/ft³

Kinematic viscosity : 1.0769E-5 ft²/s

Vapor pressure : 2.20 kPa

Hydraulic data (duty point)

Flow :

Head :

NPSH :

Shaft power P2 :

Efficiency :

Materials

Pump body Cast iron 200 UNI ISO 185

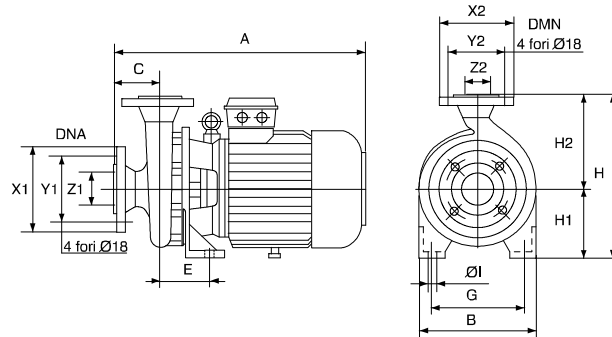
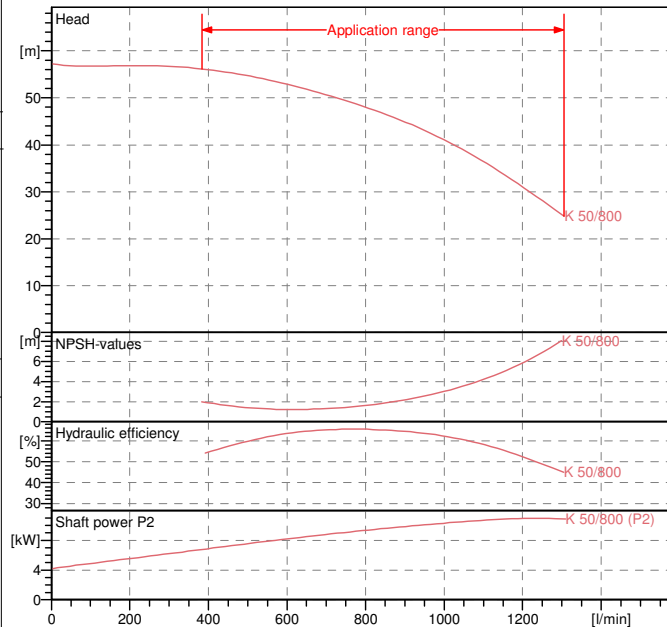
Support Cast iron 200 UNI ISO 185

Impeller Cast iron 200 UNI ISO 185

Mechanical seal Carbon/Ceramic

OR ring EPDM Rubber

Shaft with rotor AISI 304 X5 Cr Ni 1810 UNI 6900/71

Curve tolerance according to ISO 9906

Weight : 229.94 lb

Motor data

 Motor brand : DAB
 Nominal power P2 : 11 kW
 Rated speed : 2930 rpm
 Rated voltage : 3~ 400 V 50 Hz
 Nominal current : 20.5 A
 Degree of protection : IP 55

Dimensions in mm

A	600	X2	185
B	273	Y1	160
C	100	Y2	145
DNA	80	Z1	80
DNM	65	Z2	65
E	110		
G	212		
H	385		
H1	160		
H2	225		
IØ	14		
X1	200		

Pump connection

Suction side : DN 80 / 10 bar (1000 KPa)

Discharge side : DN 65 / 10 bar (1000 KPa)



PERFORMANCE CURVES

2020-07-13

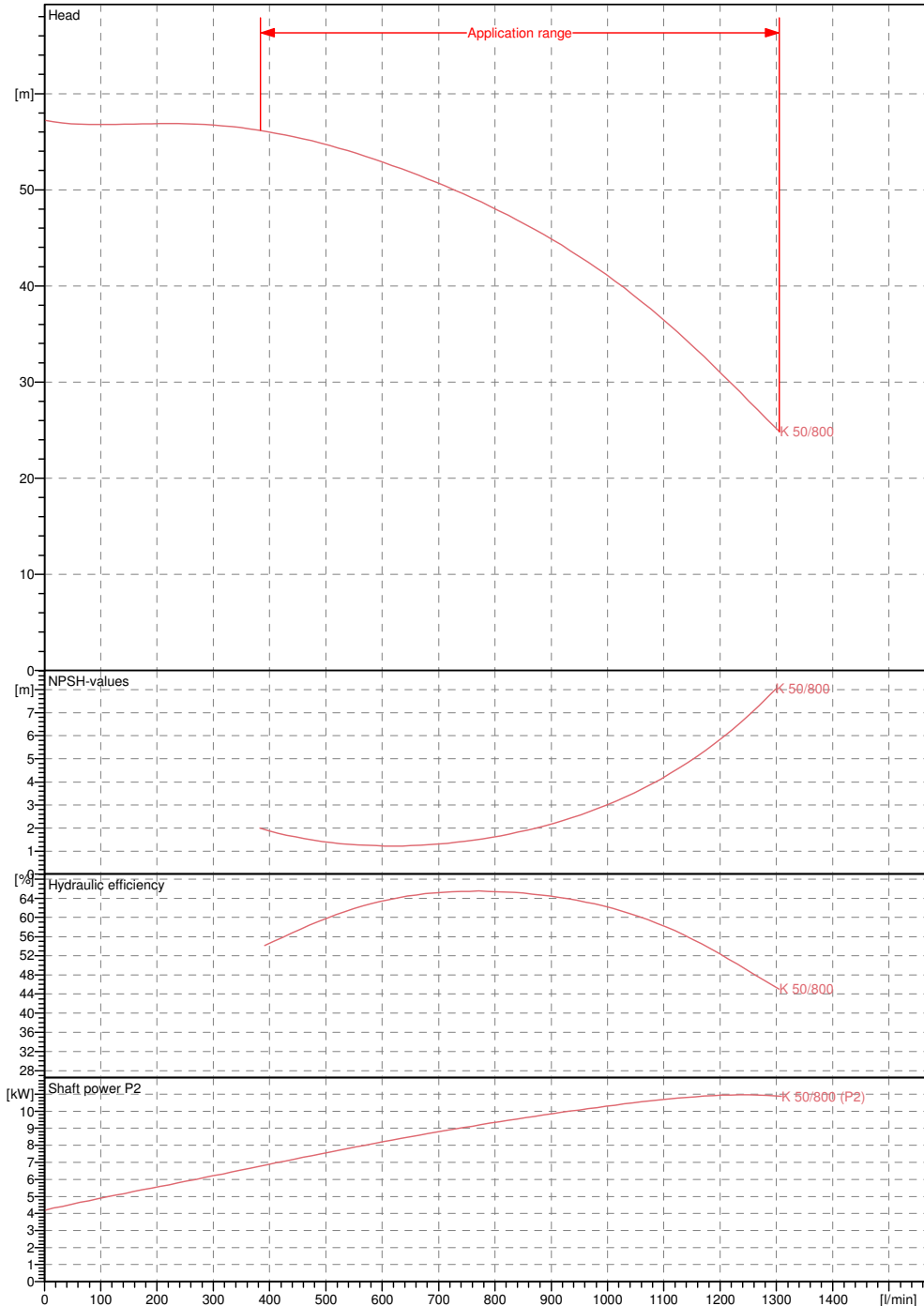
Page 4 / 5

DAB PUMPS S.p.A.
Via Marco Polo, 14 - 35035 Mestrino (PD), Italy
Tel. +39 049 5125000 - Fax +39 049 5125950
www.dabpumps.com

	Receiver	From
Society	-	-
Reference	-	-
Address	-	-
Phone	-	-
Fax	-	-
E-mail	-	-

K 50/800 T IE3

Curve tolerance according to ISO 9906



Hydraulic data (duty point)

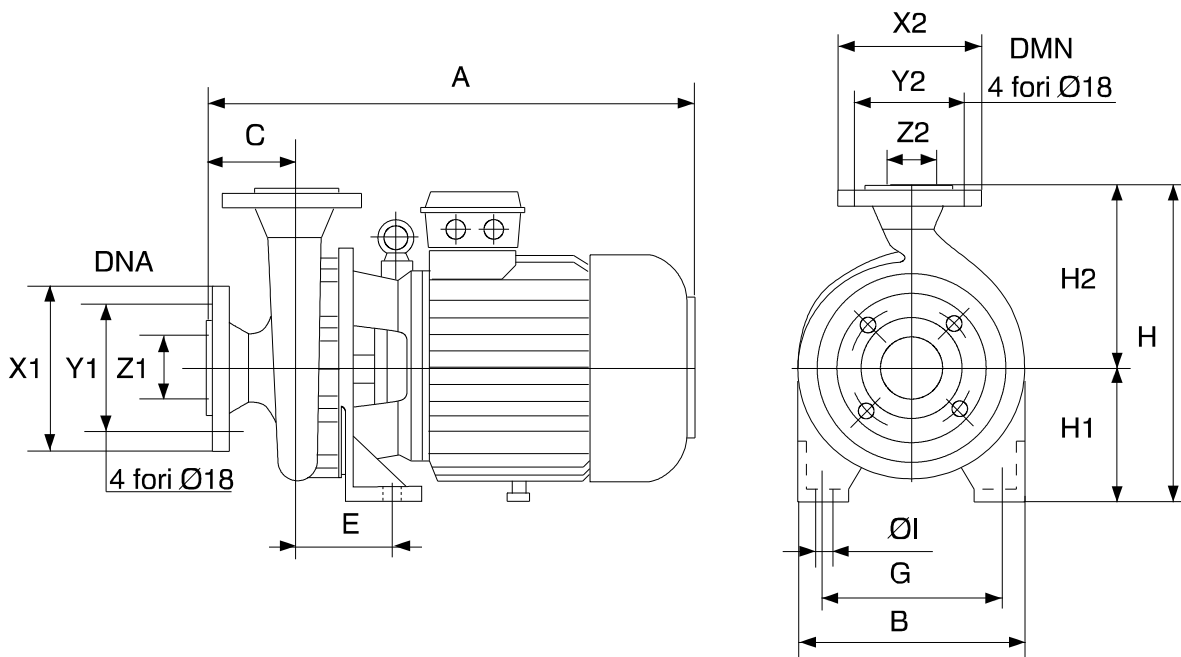
Suction side : DN 80 10 bar (1000 KPa)	Discharge side : DN 65 10 bar (1000 KPa)	Flow : 0 l/min	Head : 0 m	Rated speed : 2930 rpm
Project	Project ID	Created by	Created on 2020-07-13	

Receiver

From

Society
 Reference
 Address
 Phone
 Fax
 E-mail

K 50/800 T IE3


Dimensions in mm

1	A	600	lØ	14
2	B	273	X1	200
3	C	100	X2	185
4	DNA	80	Y1	160
5	DNM	65	Y2	145
6	E	110	Z1	80
7	G	212	Z2	65
8	H	385		
9	H1	160		
10	H2	225		

Pump connection

Suction
 DN 80
 10 bar (1000 KPa)

Discharge
 DN 65
 10 bar (1000 KPa)

Project

Project ID

Created by

Created on

2020-07-13